

CEILING SYSTEMS  
MODULAR

# 210 series

## CLIP-IN

Clip-in type ceiling designed for internal application. Clipped in to a concealed suspension system. Fully demountable with downward accessibility / hinge down accessibility using panel removal access key tool. Offered in a wide range of sizes, colors & finishes.

### FEATURES

#### MATERIAL

Aluminum Alloy as per EN AW 3000 or 5000 series.

Zinc Plated Galvanized Steel G90 grade.

#### THICKNESS

Aluminum: 0.5mm to 0.8mm.

Galvanized Steel: 0.45mm to 0.7mm

+ Custom thickness are available upon request

#### SURFACE FINISH

Plain  
Perforated

#### COATING

Polyester Coating: (5 $\mu$  (Back) + 20 $\mu$  (Face))

Polyester Powder Coating: (70 $\mu$  -80 $\mu$ )

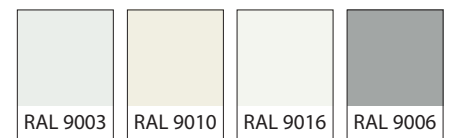
+ High Performance Coatings like PESDF, PVDF and POLYAMIDE are available upon request.

#### INSULATION

**Acoustic Black Fleece** is non-flammable and meets the standard DIN 4102 / B1. Classification A1 according to EN 13501-1.

**Rockwool slabs** conforming to ASTM C612 and equivalent BS 3958-5 are provided for acoustic insulation.

#### COLORS



#### SPECIAL FINISHES



- + See [www.rammatal.com](http://www.rammatal.com) for additional colors & special finishes available
- + Special finishes can be provided in lamination, sublimation or coil coating process.

#### SIZES (mm)

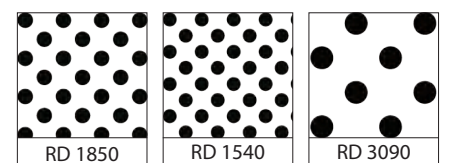
	Panel Joint Details			NORTILE CT / RAM 211	RAM 212
	Square	5 mm Beveled	3mm Beveled		
300 X 300	•	•		•	
300 X 600	•	•		•	
300 X 1200	•	•		•	
600 X 600	•	•	•	•	•
600 X 1200	•	•		•	•
600 X 1800	•			•	•
1200 X 1200	•			•	•

\*NORTILE CT / RAM 211 –With tool key access

\*RAM 212 –With hinge down access

+ Custom Sizes available upon request

#### PERFORATION PATTERNS



- + See [www.rammatal.com](http://www.rammatal.com) for all available pattern options

**DATA / PERFORMANCE**



**ACOUSTICS**  
 Tested as per BS EN ISO 354: 2003 for sound absorption, noise reduction and sound attenuation.  
 NRC achieved with Acoustic Black fleece – NRC 0.75  
 NRC achieved with Acoustic Black Fleece and Rockwool Insulation – NRC 1.00  
 Tested as per ASTM E1414-11a for Airborne Sound Attenuation as per ISO 10848-2.  
 CAC can achieved up to – 48 dB  
 Perforated & Sound Attenuation cover



**ANTI BACTERIAL COATING**  
 Tested as per JIS Z 2801: 2000, which inhibits the growth of bacteria on the applied surface.



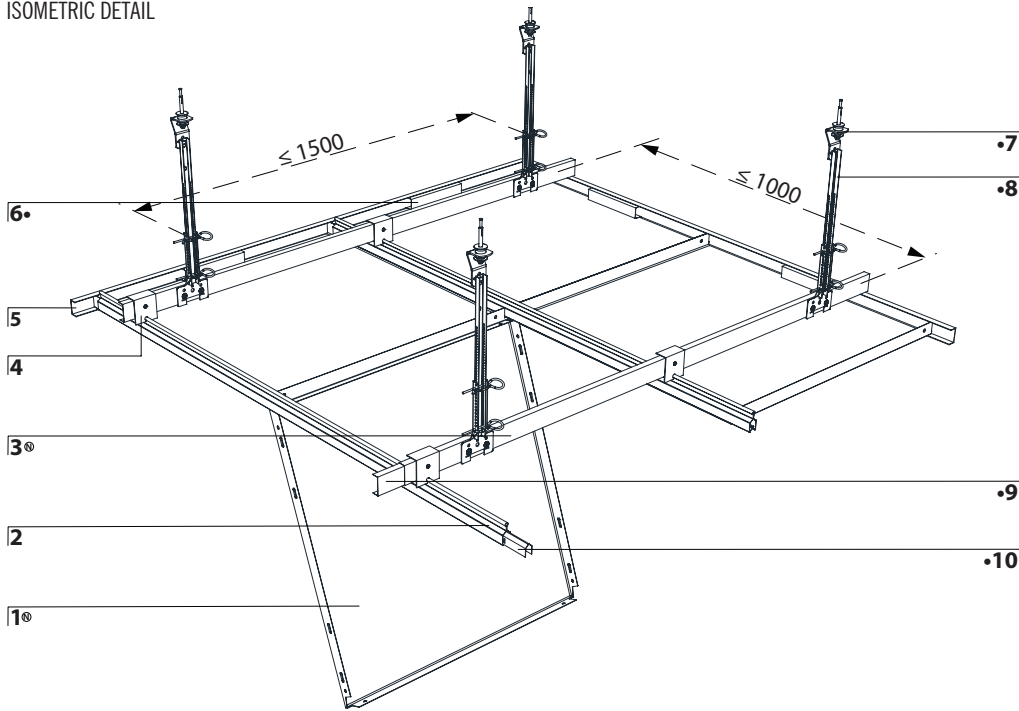
**LIGHT REFLECTANCE (LR)**  
 Achieved by the metal ceiling is LR – 0.85-0.96 tested as per ASTM E 1477.



**FIRE PERFORMANCE**  
 Surface Spread of flame Class 1 tested as per BS 476: Part 7: 1997  
 “Non-Combustible” Material tested as per BS 476: Part4: 1970  
 Flame Spread and Smoke Development Index tested as per ASTM E84 (Class 1 or A)

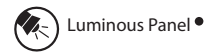
**NORTILE CT / RAM 211 CLIP-IN  
 RAM 212 CLIP-IN/HINGEDOWN**

**ISOMETRIC DETAIL**



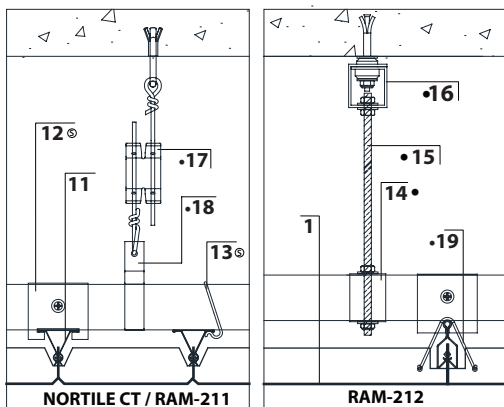
**COMPONENTS**

- 1 Panel<sup>®</sup>
- 2 Narrow Carrier
- 3 Stabilizer
- 4 NC Bracket<sup>®</sup>
- 5 Wall Trim
- 6 Wedge<sup>•</sup>
- 7 Anti-Vibration Clip (RH)<sup>•</sup>
- 8 Rigid Hanging System<sup>•</sup>
- 9 ST Splice<sup>•</sup>
- 10 C Splice<sup>•</sup>
- 11 Spring Tee Carrier
- 12 SC Bracket<sup>®</sup>
- 13 Wire Clip<sup>®</sup>
- 14 U Bracket<sup>•</sup>
- 15 Threaded Rod<sup>•</sup>
- 16 Anti-Vibration Clip (TR)<sup>•</sup>
- 17 Adjustment Clip<sup>•</sup>
- 18 Coupling Clip<sup>•</sup>
- 19 Security Wire<sup>•</sup>



- Optional
- ® For Narrow Carrier
- ® For Spring Tee Carrier
- Custom sizes can be offered

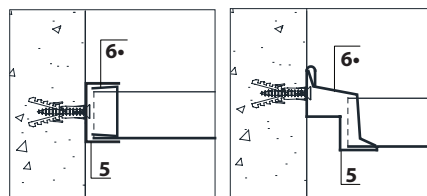
**OPTIONAL HANGING SOLUTIONS**



**JOINT DETAIL**



**PERIMETER OPTIONS**



**ACCESS TOOL<sup>•</sup>**

