

CEILING SYSTEMS  
MESH

# 1110 series

## MESH

A modern looking ceiling profile ideal for open spaces, in airports, metro stations, public transport facilities, & libraries. Can be used as a security ceiling when the mesh is produced in high gauge and proper suspension. Acoustic insulation can provide high acoustics performance. Fully demountable, complying with any accessibility requirements. Offered in a wide range of sizes, colors & finishes.

## FEATURES

### MATERIAL

Aluminum Alloy as per EN AW 3000 or 5000 series.

Zinc Plated Galvanized Steel G90 grade.

### THICKNESS

Aluminum or Galvanized Steel:  
0.5mm to 3.0mm

+ Custom thickness are available upon request

### SURFACE FINISH

Expanded  
Woven

### SIZE

WIDTH (mm): 300–1200

LENGTH (mm): 600–2400

+ Custom sizes are available upon request

### COATING

Polyester Coating: ((5 $\mu$  (Back) + 20 $\mu$  (Face))

Polyester Powder Coating: (70 $\mu$  -80 $\mu$ )

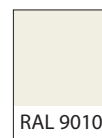
+ High Performance Coatings like PESDF, PVDF and POLYAMIDE are available upon request.

### INSULATION

**Acoustic Black Fleece** is non-flammable and meets the standard DIN 4102 / B1. Classification A1 according to EN 13501-1.

**Rockwool** slabs conforming to ASTM C612 and equivalent BS 3958-5 are provided for acoustic insulation.

### COLORS



**DATA / PERFORMANCE**



**ACOUSTICS**

Tested as per BS EN ISO 354: 2003 for sound absorption, noise reduction and sound attenuation.

NRC achieved with Acoustic Black fleece – NRC 0.75

NRC achieved with Acoustic Black Fleece and Rockwool Insulation – NRC 1.00

Tested as per ASTM E1414-11a for Airborne Sound Attenuation as per ISO 10848-2.

CAC can achieved up to – 48 dB

Perforated & Sound Attenuation cover



**ANTI BACTERIAL COATING**

Tested as per JIS Z 2801: 2000, which inhibits the growth of bacteria on the applied surface.



**LIGHT REFLECTANCE (LR)**

Achieved by the metal ceiling is LR – 0.85-0.96 tested as per ASTM E 1477.



**FIRE PERFORMANCE**

Surface Spread of flame Class 1 tested as per BS 476: Part 7: 1997

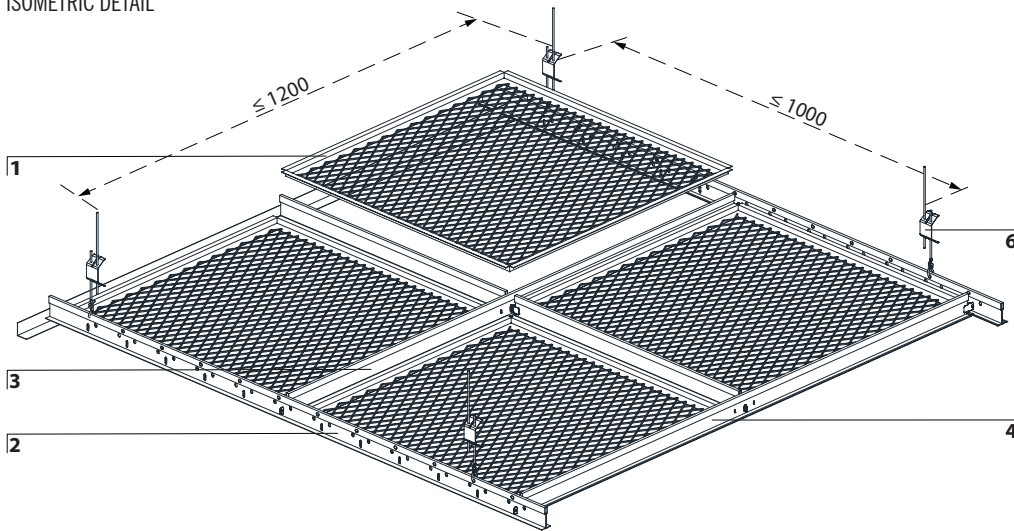
“Non-Combustible” Material tested as per BS 476: Part4: 1970

Flame Spread and Smoke Development Index tested as per ASTM E84 (Class 1 or A)

**RAM 1111 MESH L  
RAM 1112 MESH C**

**RAM 1113 MESH H  
RAM 1114 MESH T**

**ISOMETRIC DETAIL**



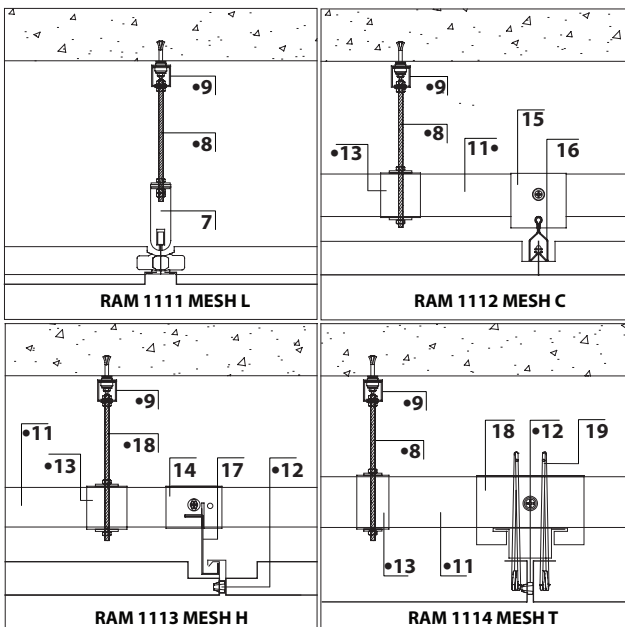
**COMPONENTS**

- 1 Panel
- 2 Main Carrier
- 3 Primary Cross Tee
- 4 Secondary Cross Tee
- 5 Wall Trim
- 6 Double Adjustment Clip
- 7 Direct Suspension Bracket
- 8 Threaded Rod •
- 9 Anti-Vibration Clip (TR) •
- 10 Wedge •
- 11 Stabilizer •
- 11 Stabilizer •
- 12 Spacer •
- 13 U Bracket •
- 14 Stabilizer Bracket
- 15 Suspension Bracket
- 16 Narrow Carrier
- 17 Z Carrier
- 18 TC Bracket
- 19 Torsion Spring Wire

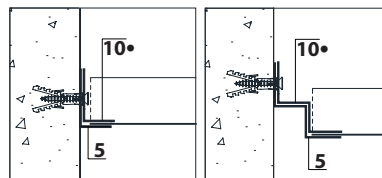
• Optional

Custom sizes can be offered

**OPTIONAL HANGING SOLUTIONS**



**PERIMETER OPTIONS**



**PANEL JOINT DETAIL**

