

CEILING SYSTEMS
MODULAR

240 series

SNAP-ON

Snap-On type ceiling for internal application. Snap-On can lock the panel in to a T Grid suspension system. Fully demountable with downward accessibility by pushing the snap lock within the panel using a key tool. Offered in a wide range of sizes, colors & finishes.

FEATURES

MATERIAL

Aluminum Alloy as per EN AW 3000 or 5000 series.

Zinc Plated Galvanized Steel G90 grade.

THICKNESS

Aluminum: 0.5mm to 0.7mm.

Galvanized Steel: 0.45mm to 0.6mm.

+ Custom thickness are available upon request

SURFACE FINISH

Plain
Perforated
Decorative Patterns

SIZES (mm)

Panel width	RAM 241
300 x 600	•
300 x 1 200	•
300 x 600	•
600 x 1200	•
600 x 1800	•
1200 x 1200	•

+ Custom Sizes available upon request

COATING

Polyester Coating: ((5 μ (Back) + 20 μ (Face))

Polyester Powder Coating: (70 μ -80 μ)

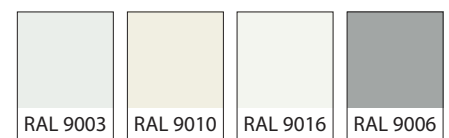
+ High Performance Coatings like PESDF, PVDF and POLYAMIDE are available upon request.

INSULATION

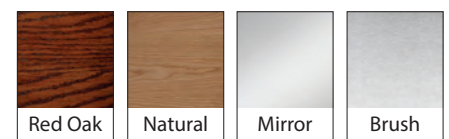
Acoustic Black Fleece is non-flammable and meets the standard DIN 4102 / B1. Classification A1 according to EN 13501-1.

Rockwool slabs conforming to ASTM C612 and equivalent BS 3958-5 are provided for acoustic insulation.

COLORS



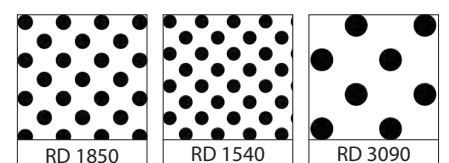
SPECIAL FINISHES



+ See www.rammatal.com for additional colors & special finishes available

+ Special finishes can be provided in lamination, sublimation or coil coating process.

PERFORATION PATTERNS



+ See www.rammatal.com for all available pattern options

DATA / PERFORMANCE



ACOUSTICS

Tested as per BS EN ISO 354: 2003 for sound absorption, noise reduction and sound attenuation.

NRC achieved with Acoustic Black fleece – NRC 0.75

NRC achieved with Acoustic Black Fleece and Rockwool Insulation – NRC 1.00

Tested as per ASTM E1414-11a for Airborne Sound Attenuation as per ISO 10848-2.

CAC can achieved up to – 48 dB

Perforated & Sound Attenuation cover



ANTI BACTERIAL COATING

Tested as per JIS Z 2801: 2000, which inhibits the growth of bacteria on the applied surface.



LIGHT REFLECTANCE (LR)

Achieved by the metal ceiling is LR – 0.85-0.96 tested as per ASTM E 1477.



FIRE PERFORMANCE

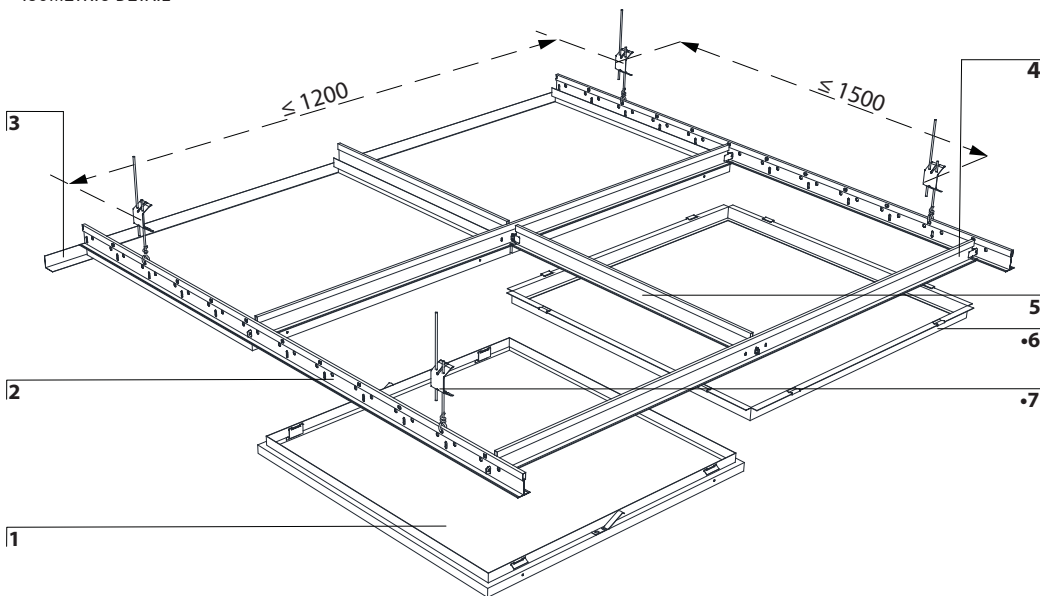
Surface Spread of flame Class 1 tested as per BS 476: Part 7: 1997

“Non-Combustible” Material tested as per BS 476: Part4: 1970

Flame Spread and Smoke Development Index tested as per ASTM E84 (Class 1 or A)

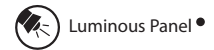
RAM 241 SNAP-ON

ISOMETRIC DETAIL



COMPONENTS

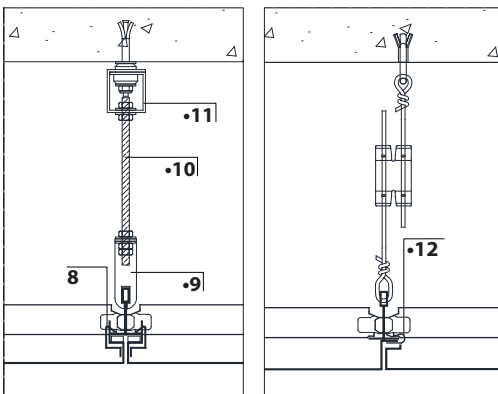
- 1 Panel
- 2 Main Carrier
- 3 Wall Trim
- 4 Primary Cross Tee 1200
- 5 Secondary Cross Tee 600
- 6 Light Tray •
- 7 Adjustment Clip •
- 8 Snap-in Clip
- 9 Direction Suspension Bracket •
- 10 Threaded Rod •
- 11 Anti-Vibration Clip (TR) •
- 12 Light Tray Clip •
- 13 Wedge •



• Optional

Custom sizes can be offered

OPTIONAL HANGING SOLUTIONS



PANEL-CARRIER JOINT DETAILS



Joint options: Butt-joint, 3mm and 5mm

PERIMETER OPTIONS

