

SHADE CONTROL

3010 series

SHADE CONTROL

For a modern look and an ideal solution for light weight canopies. Structurally rigid, high quality paint with UV resistance. A hollow profile that reduces sunlight transmission. For use in parking, ground, stadium, & other open areas. Offered in a wide range of sizes, colors & finishes.

FEATURES

MATERIAL

Aluminum Alloy as per EN AW 3000 or 5000 series.

Zinc Plated Galvanized Steel G90 grade.

THICKNESS

Aluminum (mm): 0.5 to 0.6

Galvanized Steel (mm): 0.45 to 0.5

+ Custom thickness are available upon request

SURFACE FINISH

Plain

SIZE

HEIGHT (mm): 300

WIDTH (mm): 100

LENGTH (mm): 3000

SPACING (mm): 50/100/150

+ Custom sizes are available upon request

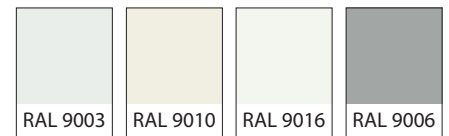
COATING

Polyester Coating: ((5 μ (Back) + 20 μ (Face))

Polyester Powder Coating: (70 μ -80 μ)

+ High Performance Coatings like PESDF, PVDF and POLYAMIDE are available upon request.

COLORS



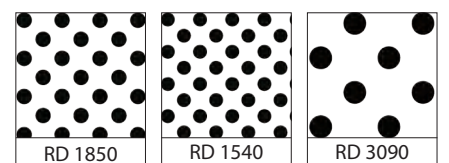
SPECIAL FINISHES



+ See www.rammatal.com for additional colors & special finishes available

+ Special finishes can be provided in lamination, sublimation or coil coating process.

PERFORATION PATTERNS



+ See www.rammatal.com for all available pattern options

DATA / PERFORMANCE



FIRE PERFORMANCE

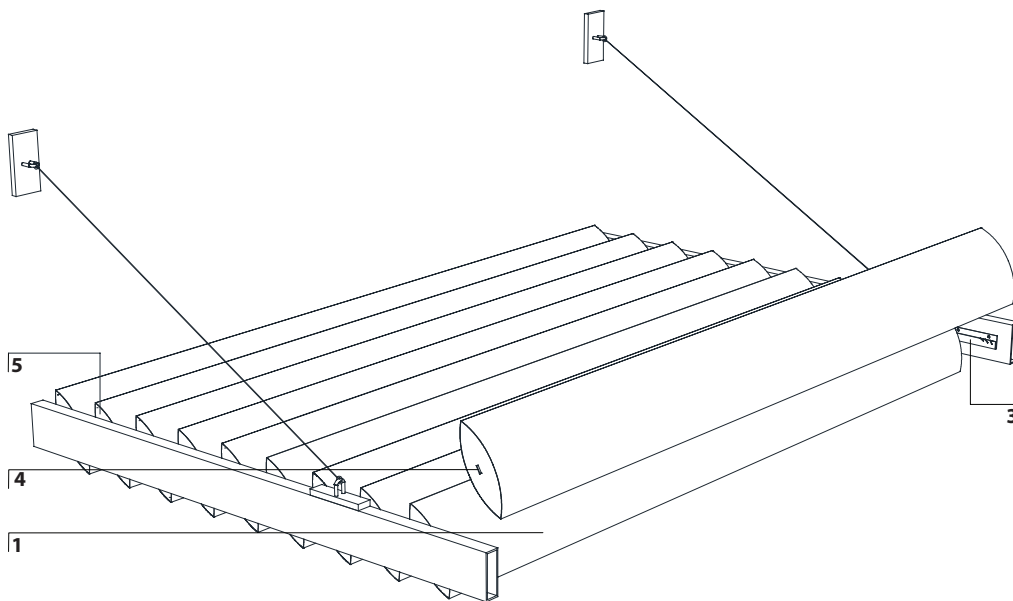
Surface Spread of flame Class 1
tested as per BS 476: Part 7: 1997

"Non-Combustible" Material tested as
per BS 476: Part 4: 1970

Flame Spread and Smoke
Development Index tested as per
ASTM E84 (Class 1 or A)

RAM 3011 SHADE CONTROL

ISOMETRIC DETAIL



COMPONENTS

- 1 Baffle
- 2 U Channel
- 3 Carrier Profile
- 4 L Hook Profile
- 5 End Cap

Custom sizes can be offered

SECTION DETAIL

