

CEILING SYSTEMS
OPEN GRID

330 series

OPEN CELL TORSION

An open cell for high ceiling types. Ideal for exhibition centers, airports, car showrooms, & commercial establishments. Offered in a versatile range of patterns. Special boxes can be provided for MEP Services.

FEATURES

MATERIAL

Aluminum Alloy as per EN AW 3000 or 5000 series.

THICKNESS

1.0 mm.

+ Custom thickness are available upon request

SURFACE FINISH

Plain
Perforated

COATING

Polyester Coating: ((5 μ (Back) + 20 μ (Face))

Polyester Powder Coating: (70 μ -80 μ)

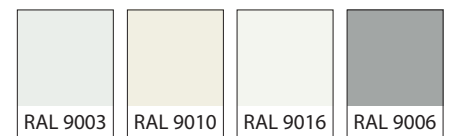
+ High Performance Coatings like PESDF, PVDF and POLYAMIDE are available upon request.

INSULATION

Acoustic Black Fleece is non-flammable and meets the standard DIN 4102 / B1. Classification A1 according to EN 13501-1.

Rockwool slabs conforming to ASTM C612 and equivalent BS 3958-5 are provided for acoustic insulation.

COLORS



SPECIAL FINISHES



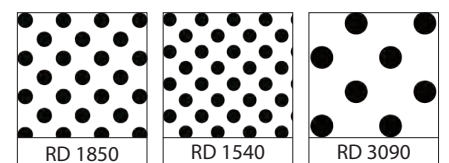
+ See www.rammatal.com for additional colors & special finishes available

SIZES (mm)

	Cell size	Blade width	Blade height
RAM 331	40/75/100/120/150/200/300	0.70-1.00	40-200

+ Custom Sizes available upon request

PERFORATION PATTERNS



+ See www.rammatal.com for all available pattern options

DATA / PERFORMANCE



ANTI BACTERIAL COATING
Tested as per JIS Z 2801: 2000, which inhibits the growth of bacteria on the applied surface.



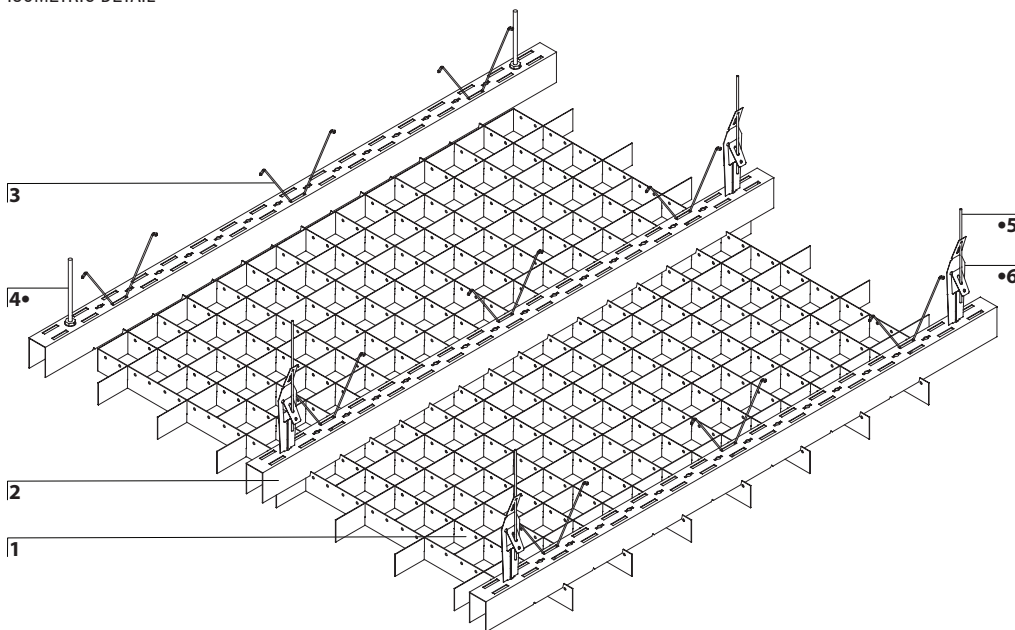
FIRE PERFORMANCE
Surface Spread of flame Class 1 tested as per BS 476: Part 7: 1997
"Non-Combustible" Material tested as per BS 476: Part4: 1970
Flame Spread and Smoke Development Index tested as per ASTM E84 (Class 1 or A)



LIGHT REFLECTANCE (LR)
Achieved by the metal ceiling is LR – 0.85-0.96 tested as per ASTM E 1477.

RAM 331 SQUARE/RECTANGULAR DIACELL

ISOMETRIC DETAIL



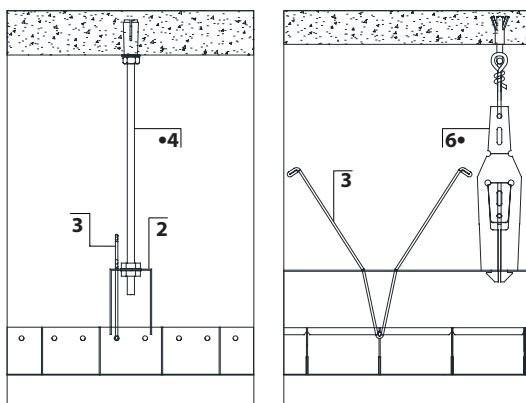
COMPONENTS

- 1 Upper & Lower Blade
- 2 Carrier
- 3 Torsion Spring Wire
- 4 Threaded Rod •
- 5 Wire Hanger •
- 6 Adjustment Clip •
- 7 Wall Trim

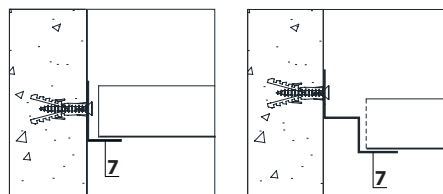
• Optional

Custom sizes can be offered

SECTION DETAIL



PERIMETER OPTIONS



CELL OPTIONS

