

ARCHITECTURAL ELEMENTS

5010 series

METAL
BULKHEAD

Ideal for connecting ceilings with other building elements. Can be manufactured to integrate light fittings, AC grills, and other MEP services. Offered in a wide range of designs, sizes, colors & finishes.

FEATURES

MATERIAL

Aluminum Alloy as per EN AW 3000 or 5000 series.

Zinc Plated Galvanized Steel G90 grade.

THICKNESS

Aluminum or Galvanized Steel (mm): 0.6 to 3.0

+ Custom thickness are available upon request

SURFACE FINISH

Plain
Perforated

SIZE

LENGTH (mm): ≤ 3000

WIDTH (mm): 300 to 1000

+ Custom sizes are available upon request

COATING

Polyester Coating:
(5μ (Back) + 20μ (Face))

Polyester Powder Coating:
(70μ - 80μ)

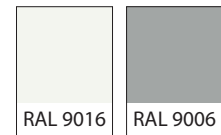
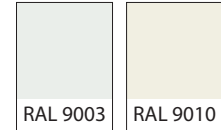
+ High Performance Coatings like PESDF, PVDF and POLYAMIDE are available upon request.

INSULATION

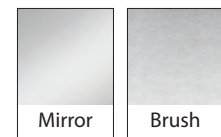
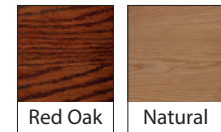
Acoustic Black Fleece is non-flammable and meets the standard DIN 4102 / B1. Classification A1 according to EN 13501-1.

Rockwool slabs conforming to ASTM C612 and equivalent BS 3958-5 are provided for acoustic insulation.

COLOR / FINISH



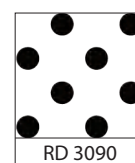
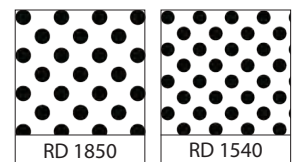
SPECIAL FINISHES



+ See www.rammatal.com for additional colors & special finishes available

+ Special finishes can be provided in lamination, sublimation or coil coating process.

PERFORATION PATTERNS



+ See www.rammatal.com for all other pattern options

DATA / PERFORMANCE



ACOUSTICS

Tested as per BS EN ISO 354: 2003 for sound absorption, noise reduction and sound attenuation.

NRC achieved with Acoustic Black fleece – NRC 0.75

NRC achieved with Acoustic Black Fleece and Rockwool Insulation- NRC 1.00



ANTI BACTERIAL COATING

Tested as per JIS Z 2801: 2000, which inhibits the growth of bacteria on the applied surface.



LIGHT REFLECTANCE (LR)

Achieved by the metal ceiling is LR – 0.85-0.96 tested as per ASTM E 1477.



FIRE PERFORMANCE

Surface Spread of flame Class 1 tested as per BS 476: Part 7: 1997

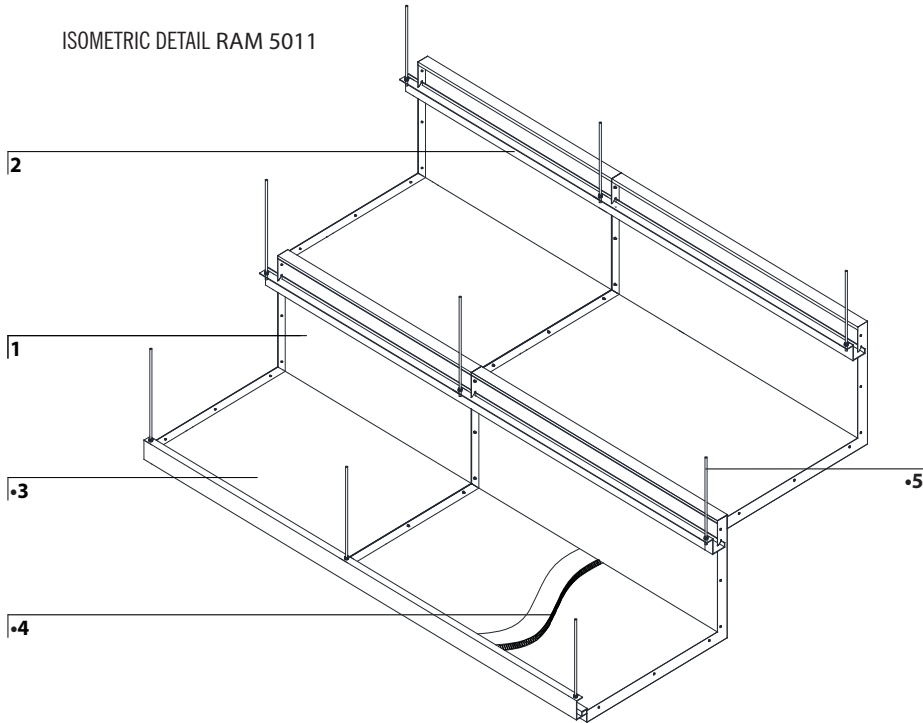
“Non-Combustible” Material tested as per BS 476: Part4: 1970

Flame Spread and Smoke Development Index tested as per ASTM E84 (Class 1 or A)

RAM 5011 METAL BULKHEAD

RAM 5012 CURVED METAL BULKHEAD

ISOMETRIC DETAIL RAM 5011



COMPONENTS

RAM 5011

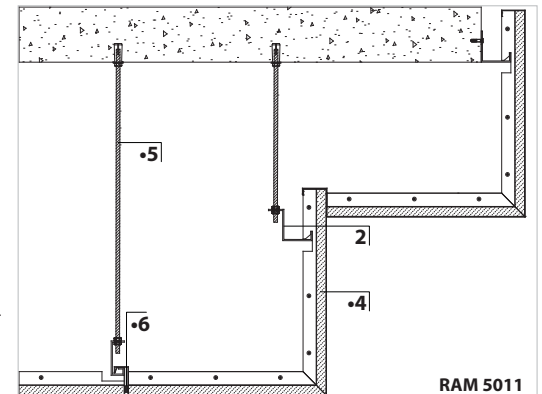
- 1 Panel
- 2 J Profile
- 3 Backing Panel •
- 4 Backing Board •
- 5 Threaded Rod •
- 6 Self-Adhesive Seal •
- 7 Rockwool •

RAM 5012

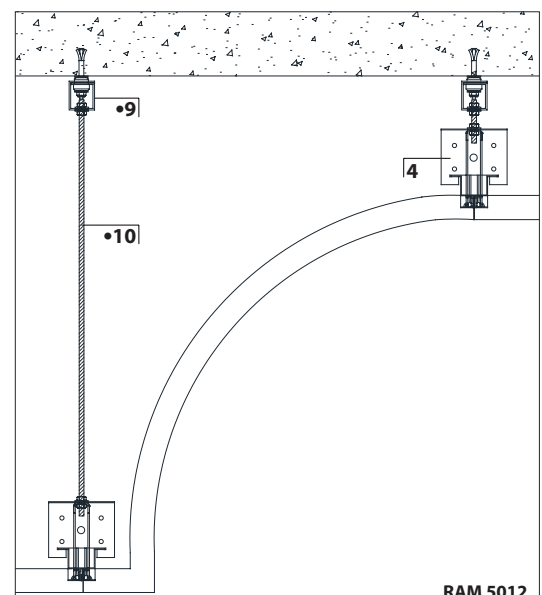
- 1 Panel
- 2 Torsion Spring Carrier
- 3 Torsion Spring Wire
- 4 CT Bracket
- 5 Lower Ridge Hanger •
- 6 Upper Ridge Hanger •
- 7 Locking Clip
- 8 Anti-Vibration Clip (RH) •
- 9 Anti-Vibration Clip (TR) •
- 10 Threaded Rod •

• Optional

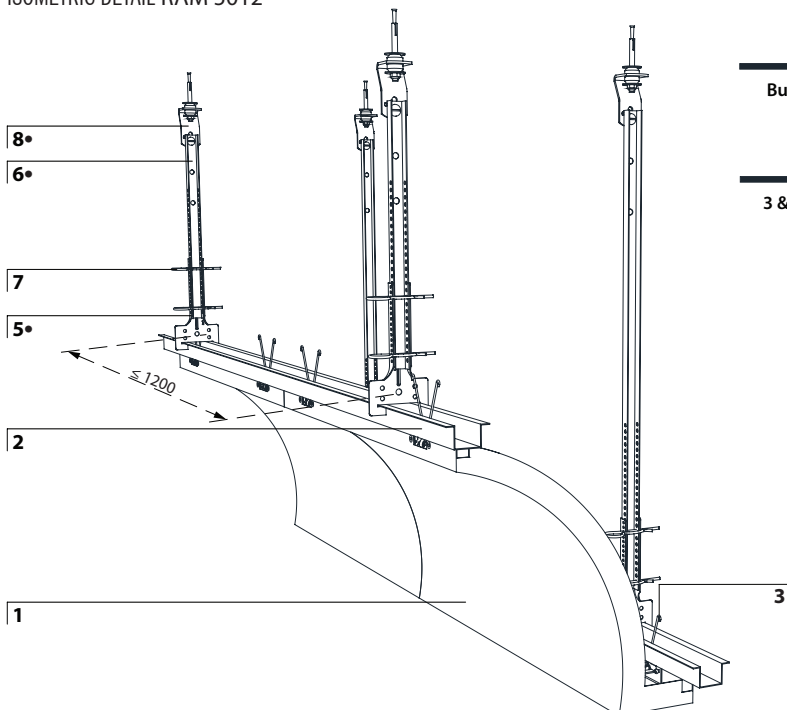
SECTION DETAIL



OPTIONAL HANGING SOLUTION



ISOMETRIC DETAIL RAM 5012



PANEL JOINT DETAIL

