

CEILING SYSTEMS  
BEAMGRID

# 510 series

## CONTINUOUS

This continuous beam profile ceiling is an ideal solution for integrating ceiling with demountable partition. Available with sound attenuation panels. Can be manufactured in single & double skin. The beam profile can be used to integrate light fittings, AC grills, and other MEP services. Offered as recess, flush, or reveled edge with the panel. Panels are laid on/ clipped in the beam profile, which can be produced in multiple sizes in order to avoid cutting the panels. Lifts upwards for access to ceiling void. Offered in a wide range of sizes, colors & finishes.

## FEATURES

### MATERIAL

Aluminum Alloy as per EN AW 3000 or 5000 series.

Zinc Plated Galvanized Steel G90 grade.

### THICKNESS

PANELS (mm)

Aluminum or Galvanized Steel:  
0.5 to 1.0

BEAMS (mm)

Galvanized Steel:  
0.5 to 2.0

+ Custom thickness are available upon request

### SURFACE FINISH

Plain  
Perforated  
Decorative Patterns

### SIZES

TYPE  
Continuous  
Inverted

PANEL JOINT DETAIL  
Square

BEAM WIDTH (mm): 100-300

DIMENSIONS (mm)  
600x600/750x750/900x900/1000x1000/  
1200x1200/1500x1500

+ Custom sizes are available upon request

### COATING

Polyester Coating: ((5 $\mu$  (Back) + 20 $\mu$  (Face))

Polyester Powder Coating: (70 $\mu$  -80 $\mu$ )

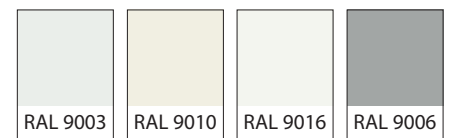
+ High Performance Coatings like PESDF, PVDF and POLYAMIDE are available upon request.

### INSULATION

**Acoustic Black Fleece** is non-flammable and meets the standard DIN 4102 / B1. Classification A1 according to EN 13501-1.

**Rockwool** slabs conforming to ASTM C612 and equivalent BS 3958-5 are provided for acoustic insulation.

### COLORS

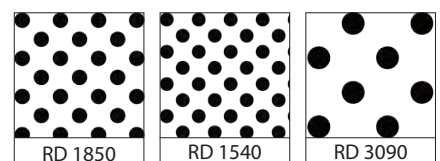


### SPECIAL FINISHES



+ See [www.rammetal.com](http://www.rammetal.com) for additional colors & special finishes available  
+ Special finishes can be provided in lamination, sublimation or coil coating process.

### PERFORATION PATTERNS



+ See [www.rammetal.com](http://www.rammetal.com) for all available pattern options

## DATA / PERFORMANCE



### ACOUSTICS

Tested as per BS EN ISO 354: 2003 for sound absorption, noise reduction and sound attenuation.

NRC achieved with Acoustic Black fleece – NRC 0.75

NRC achieved with Acoustic Black Fleece and Rockwool Insulation – NRC 1.00

Tested as per ASTM E1414-11a for Airborne Sound Attenuation as per ISO 10848-2.

CAC can achieved up to – 48 dB

Perforated & Sound Attenuation cover



### ANTI BACTERIAL COATING

Tested as per JIS Z 2801: 2000, which inhibits the growth of bacteria on the applied surface.



### LIGHT REFLECTANCE (LR)

Achieved by the metal ceiling is LR – 0.85-0.96 tested as per ASTM E 1477.



### FIRE PERFORMANCE

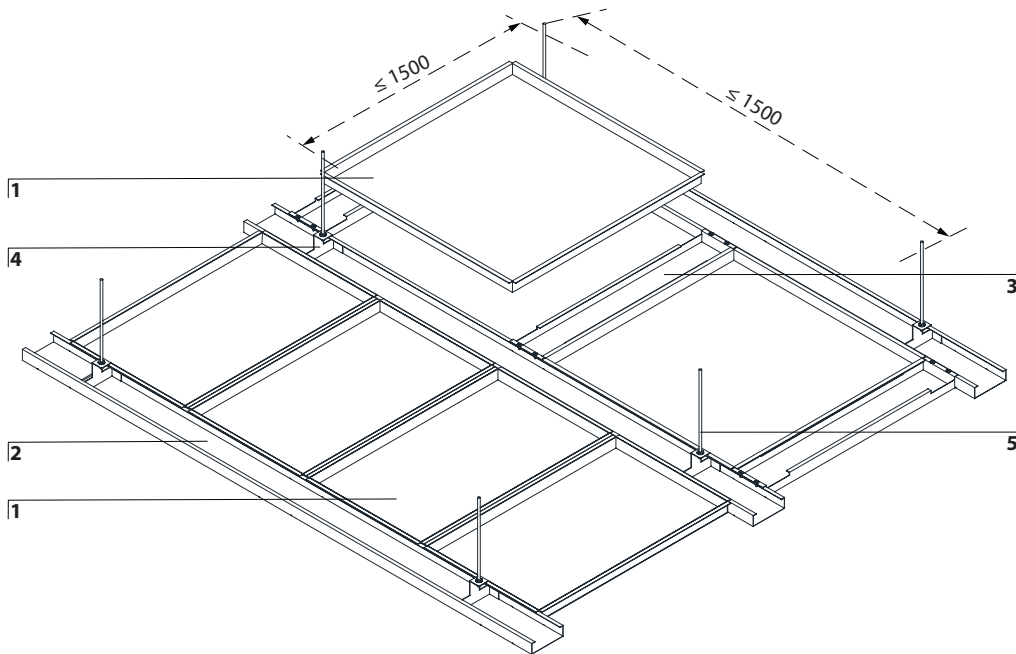
Surface Spread of flame Class 1 tested as per BS 476: Part 7: 1997

“Non-Combustible” Material tested as per BS 476: Part4: 1970

Flame Spread and Smoke Development Index tested as per ASTM E84 (Class 1 or A)

## RAM 511 CONTINUOUS RAM 512 INVERTED

### ISOMETRIC DETAIL



### COMPONENTS

- 1 Panel
- 2 Main Beam Carrier
- 3 Cross Beam
- 4 Hanging Bracket
- 5 Threaded Rod
- 6 Anti-Vibration Clip (RH) •
- 7 Wall Trim
- 8 Wall End Bracket •
- 9 Inverted Beam (Direct)
- 10 Inverted Beam (Indirect)

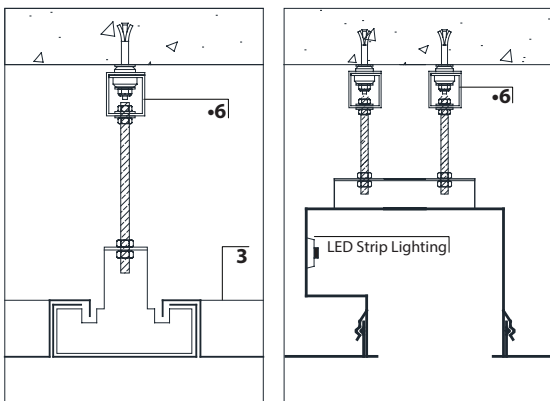
Luminous Panel •

Fire Resistant •

• Optional

Custom sizes can be offered

### SECTION DETAIL



### PANEL-BEAM JOINT DETAIL



### PERIMETER OPTIONS

