

CEILING SYSTEMS
FIRE RATED

710 series

F90



A clip in hinge down ceiling type, clipped in to a concealed suspension system with non-perforated finish making it an ideal solution for industrial & central kitchens. Fire resistance performance close to 2 hours, and classified as medium security. Hinge down accessibility using panel removal access key tool. Offered in a wide range of sizes, colors & finishes .

FEATURES

MATERIAL

Zinc Plated Galvanized Steel G90 grade.

THICKNESS

Galvanized Steel:
0.7mm

SURFACE FINISH

Plain
Perforated
Decorative Patterns

SIZE

PANEL JOINT DETAIL (mm)

Square:
 $W \leq 600\text{mm} \times L \leq 1800\text{mm}$

3mm Beveled:
600x600

+ Custom sizes are available upon request

COATING

Polyester Coating: (5μ (Back) + 20μ (Face))

Polyester Powder Coating: (70μ - 80μ)

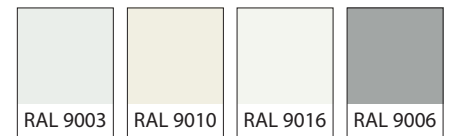
+ High Performance Coatings like PESDF, PVDF and POLYAMIDE are available upon request.

INSULATION

Acoustic Black Fleece is non-flammable and meets the standard DIN 4102 / B1. Classification A1 according to EN 13501-1.

Rockwool slabs conforming to ASTM C612 and equivalent BS 3958-5 are provided for acoustic insulation.

COLORS

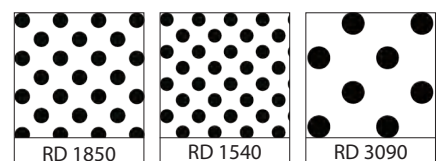


SPECIAL FINISHES



- + See www.rammatal.com for additional colors & special finishes available
- + Special finishes can be provided in lamination, sublimation or coil coating process.

PERFORATION PATTERNS



- + See www.rammatal.com for all available pattern options

DATA / PERFORMANCE



ACOUSTICS
 Tested as per BS EN ISO 354: 2003 for sound absorption, noise reduction and sound attenuation.
 NRC achieved with Acoustic Black fleece – NRC 0.75
 NRC achieved with Acoustic Black Fleece and Rockwool Insulation – NRC 1.00
 Tested as per ASTM E1414-11a for Airborne Sound Attenuation as per ISO 10848-2.
 CAC can achieved up to – 48 dB
 Perforated & Sound Attenuation cover



ANTI BACTERIAL COATING
 Tested as per JIS Z 2801: 2000, which inhibits the growth of bacteria on the applied surface.



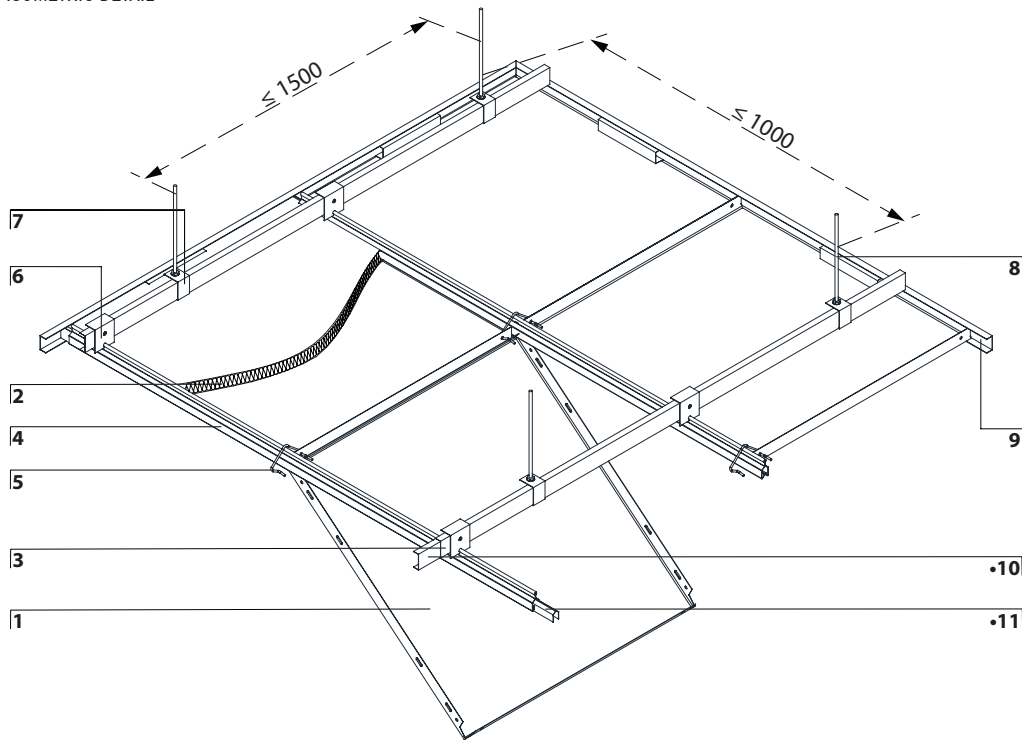
FIRE RESISTANCE
 Fire Rated up to 115 minutes tested as per BS476: Part 23: 1987



LIGHT REFLECTANCE (LR)
 Achieved by the metal ceiling is LR – 0.85-0.96 tested as per ASTM E 1477.

RAM 711 F90

ISOMETRIC DETAIL

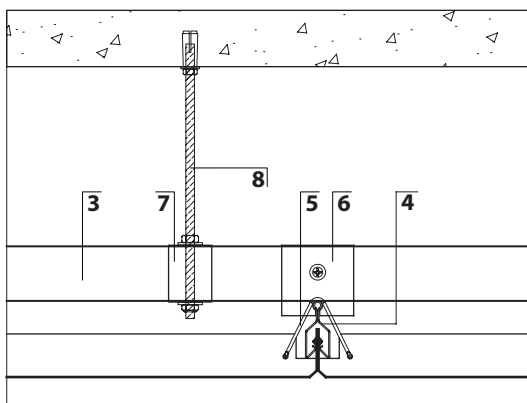


COMPONENTS

- 1 Panel
- 2 Rockwool Infill
- 3 Stabilizer
- 4 Narrow Carrier
- 5 Security Clip
- 6 NC Bracket
- 7 ST Bracket
- 8 Threaded Rod
- 9 Wall Trim
- 10 ST Splice •
- 11 C Splice •
- 12 Wedge •
- 13 Anti-Vibration Clip (TR) •

• Optional
 Custom sizes can be offered

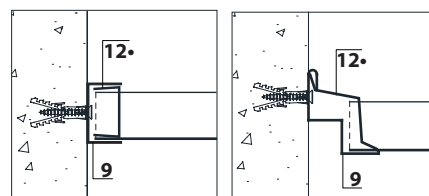
SECTION DETAIL



JOINT DETAILS



PERIMETER OPTIONS



ACCESS TOOL •

