

CEILING SYSTEMS  
FIRE RATED

# 720 series

F120



Concealed fire rated ceiling panels with spring action latch lock on beam profile. An ideal solution for integrating ceiling with demountable partition, hanging & support for light (weight) signs & multimedia materials. For use in airports, universities & office buildings. Fire resistance performance exceed to 2 hours. High acoustic performance of sound absorption as well as tested with high CAC 51db sound transmission. Fully demountable with downward accessibility using panel removal access key tool. Offered in a wide range of sizes, colors & finishes.

## FEATURES

### MATERIAL

Zinc Plated Galvanized Steel G90 grade.

### THICKNESS

Galvanized Steel

### PANELS (mm)

45mm

### BEAMS (mm)

1.00mm

+ Custom thickness are available upon request

### SURFACE FINISH

Plain  
Perforated  
Decorative Patterns

### SIZE

TYPE  
concealed

### PANEL JOINT DETAIL

Square

### DIMENSIONS (mm)

600x600/750x750/900x900/1000x1000/  
1200x1200/1500x1500

+ Custom sizes are available upon request

### COATING

Polyester Coating: ((5 $\mu$  (Back) + 20 $\mu$  (Face))

Polyester Powder Coating: (70 $\mu$  -80 $\mu$ )

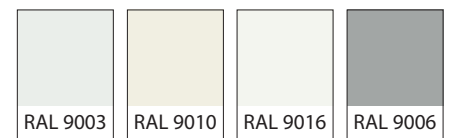
+ High Performance Coatings like PESDF, PVDF and POLYAMIDE are available upon request.

### INSULATION

**Acoustic Black Fleece** is non-flammable and meets the standard DIN 4102 / B1. Classification A1 according to EN 13501-1.

**Rockwool** slabs conforming to ASTM C612 and equivalent BS 3958-5 are provided for acoustic insulation.

### COLORS

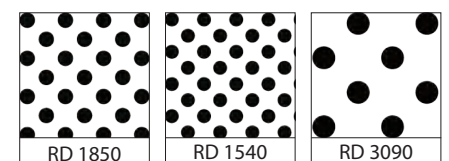


### SPECIAL FINISHES



- + See [www.rammatal.com](http://www.rammatal.com) for additional colors & special finishes available
- + Special finishes can be provided in lamination, sublimation or coil coating process.

### PERFORATION PATTERNS



- + See [www.rammatal.com](http://www.rammatal.com) for all available pattern options

## DATA / PERFORMANCE



### ACOUSTICS

Tested as per BS EN ISO 354: 2003 for sound absorption, noise reduction and sound attenuation.

NRC achieved with Acoustic Black fleece – NRC 0.75

NRC achieved with Acoustic Black Fleece and Rockwool Insulation – NRC 1.00

Tested as per ASTM E1414-11a for Airborne Sound Attenuation as per ISO 10848-2.

CAC can achieved up to – 48 dB

Perforated & Sound Attenuation cover



### ANTI BACTERIAL COATING

Tested as per JIS Z 2801: 2000, which inhibits the growth of bacteria on the applied surface.



### LIGHT REFLECTANCE (LR)

Achieved by the metal ceiling is LR – 0.85-0.96 tested as per ASTM E 1477.

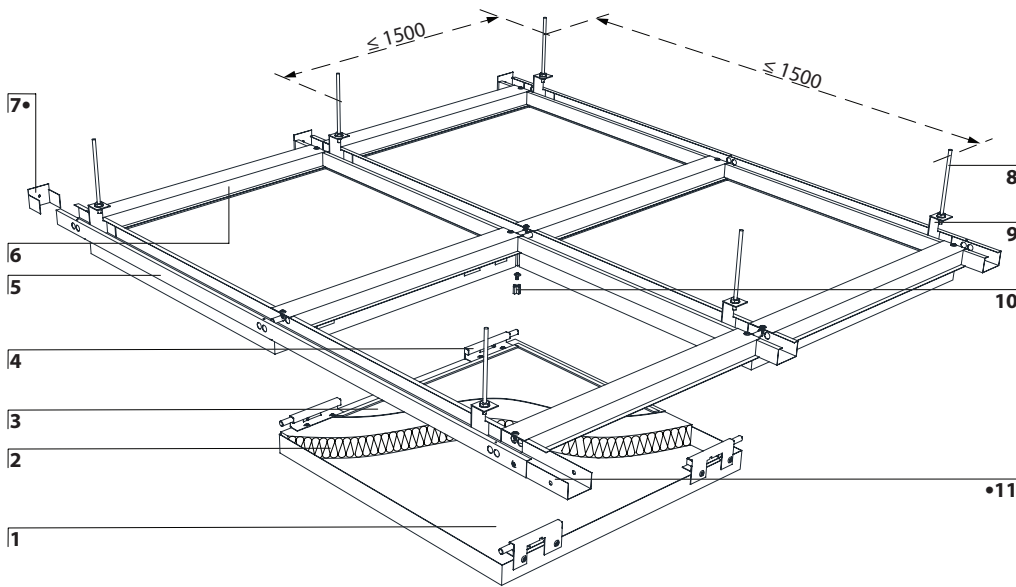


### FIRE RESISTANCE

Fire Rated up to 132 minutes tested as per BS476: Part 23: 1987.

## RAM 721 F120

### ISOMETRIC DETAIL



### COMPONENTS

- 1 Panel
- 2 Rockwool Infill
- 3 Sound Attenuation Panel
- 4 Spring Action Latch Lock
- 5 Main Beam Channel
- 6 Cross Beam Channel
- 7 Wall End Bracket •
- 8 Threaded Rod
- 9 Hanging Bracket
- 10 Cross Spacer
- 11 B Splice •
- 12 Self-Adhesive Seal
- 13 Anti-Vibration Clip (TR) •
- 14 Wall Trim
- 15 Wall End Bracket

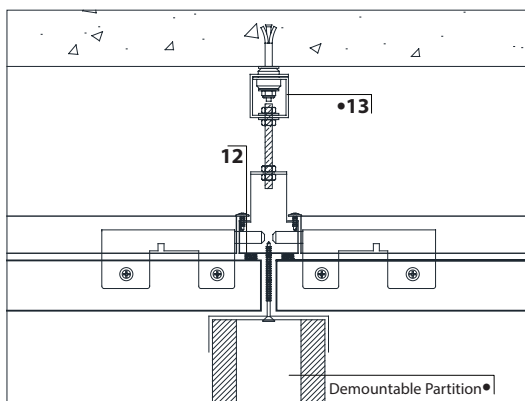
• Optional

Custom sizes can be offered

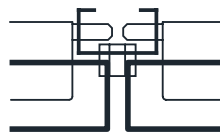


Fire Resistant •

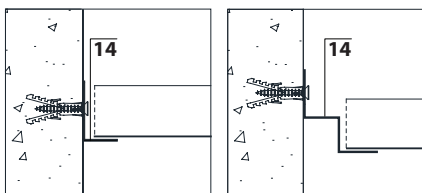
### SECTION DETAIL



### PANEL JOINT DETAIL



### PERIMETER OPTIONS



### WALL END BRACKET DETAIL

